

PIANO

True to Original · Distinct by Nature

ELECTRIC WATER HEATER

Product Catalog

2026

PIANO

True to Original · Distinct by Nature



Efficiency Meets Comfort in Every Drop



W www.pianotherm.com
E sales@pianotherm.com





21yrs+ Industry Experience | **100+** Business Case | **40+** Core Patents | **1M+** User Base

PIANO皮阿诺

Shenzhen Stock Exchange

A-share listed brand

stock code: **002853.SZ**

证书号第7905027号

发明专利证书

发明名称：一种自复位双向防冻阀及电热水器

人：中山市领锋电器有限公司

址：528434 广东省中山市阜沙镇上游街秀路6号

人：廖国明区兆明

号：ZL 2021 1 0653882.5 授权公告号：CN 113280505 B

日：2021年06月11日 授权公告日：2025年04月29日

人：中山市领锋电器有限公司

人：廖国明区兆明

证书号第2840120号

实用新型专利证书

实用新型名称：具有防干烧和防溢功能的即热式电热水器

发明人：廖国明区兆明

专利号：ZL 2023 2 1471713.1

专利号：ZL 2023 2 1471713.1

专利权人：中山市领锋电器有限公司

地址：528434 广东省中山市阜沙镇上游街秀路6号

授权公告：20240429(20240429) 授权公告号：CN 22471902 U

发明人：廖国明区兆明

专利权人：中山市领锋电器有限公司

高新技术企业证书

证书编号：2251014000128

发证时间：2023年11月29日

有效期：3年

COMPANY PROFILE

Piano Appliance, established in 2005, is a key subsidiary of Piano Group (Stock Code: 002853SZ) - a leading high-end instant electric water heater manufacturer in China.

We use mature, in-house cast-aluminum water-electricity separation heating technology, ensuring safe and efficient performance. Stepper-motor water flow control provides stable temperatures and a superior shower experience.

For the past 20 years, we have delivered premium heating solutions to millions of households, commercial entities, and real estate projects.

Our products balance energy efficiency, environmental sustainability, and user comfort, meeting diverse hot water needs while upholding strict safety and performance standards.



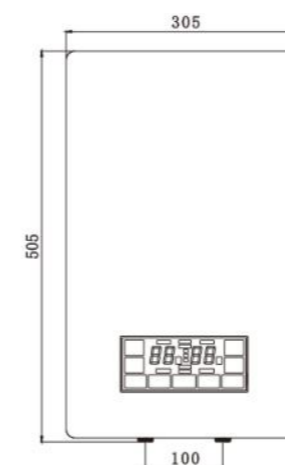


THREE PHASE INSTANT ELECTRIC WATER HEATER

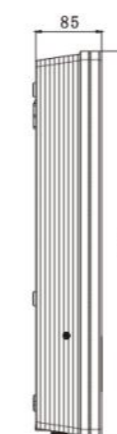
A6









Key Features

- Advanced multiple security protection systems
- Cast aluminum heating element for durability
- Water-electricity isolation heating for enhanced safety
- Multi-point hot water supply for simultaneous use
- 3 TRIAC controls for precise power regulation
- 4 preset modes with one-touch switching



Unit: mm



-  Water-electricity Isolation
-  Instant Heating
-  Energy Efficient
-  Multi-protection
-  Three TRIAC
-  Four Preset Modes
-  Precise Temperature
-  Glass Touch Panel

Specifications

Rated Voltage	Rated Frequency	Rated Power	Rated Pressure	Heating Element	Temperature Range	Waterproofing Grade	Product Size
380V 3N	50Hz	18kW	0.6MPa	Cast Aluminum	25-60°C	IPX4	500×305×85mm
380V 3N	50Hz	24kW	0.6MPa	Cast Aluminum	25-60°C	IPX4	500×305×85mm

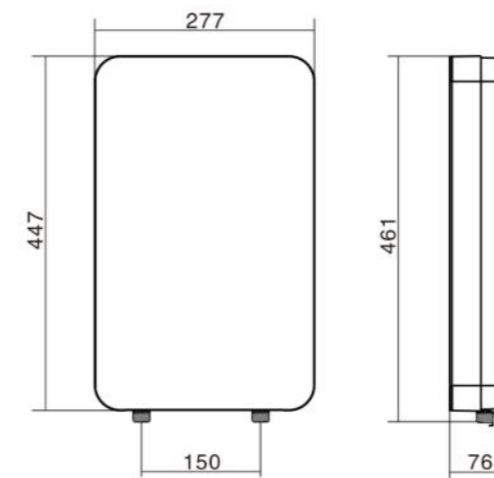


INSTANT ELECTRIC WATER HEATER

T2

Key Features

- Advanced multiple security protection systems
- Cast aluminum heating element for durability
- Water-electricity isolation heating for enhanced safety
- 2 TRIAC controls for precise power regulation
- Stepper motor flow control with dynamic power adjustment
- Intelligent anti-scalding and anti-freezing technology
- Smart Wi-Fi connectivity



Unit: mm

- Water-electricity Isolation
- Instant Heating
- Anti-freezing
- Stepper Motor Smart Control
- Anti-scalding
- Patented Heating Element
- Two TRIAC
- Glass Touch Panel

Specifications

Rated Voltage	Rated Frequency	Rated Power	Rated Pressure	Heating Element	Temperature Range	Waterproofing Grade	Product Size
220V	50Hz	10.5kW	0.6MPa	Cast Aluminum	25-60°C	IPX4	447×277×76mm
220V	50Hz	12kW	0.6MPa	Cast Aluminum	25-60°C	IPX4	447×277×76mm

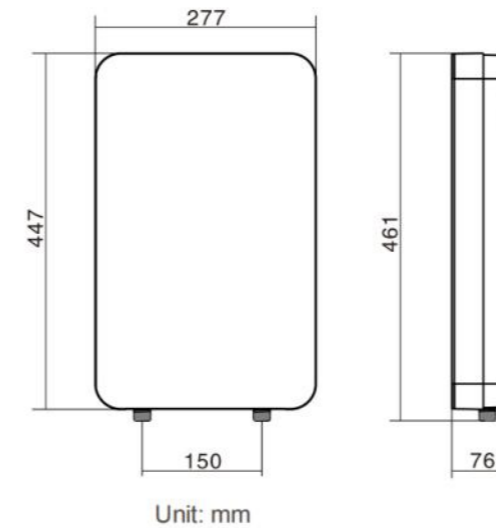










INSTANT ELECTRIC WATER HEATER

T1

Key Features

- Advanced multiple security protection systems
- Cast aluminum heating element for durability
- Water-electricity isolation heating for enhanced safety
- 2 TRIAC controls for precise power regulation
- Stepper motor flow control with dynamic power adjustment
- Intelligent anti-scalding and anti-freezing technology
- Precise Temperature Setting in 0.5°C Steps



-  Water-electricity Isolation
-  Instant Heating
-  Anti-freezing
-  Stepper Motor Smart Control
-  Anti-scalding
-  Patented Heating Element
-  Two TRIAC
-  Glass Touch Panel

Specifications

Rated Voltage	Rated Frequency	Rated Power	Rated Pressure	Heating Element	Temperature Range	Waterproofing Grade	Product Size
220V	50Hz	10.5kW	0.6MPa	Cast Aluminum	25-60°C	IPX4	447×277×76mm
220V	50Hz	12kW	0.6MPa	Cast Aluminum	25-60°C	IPX4	447×277×76mm

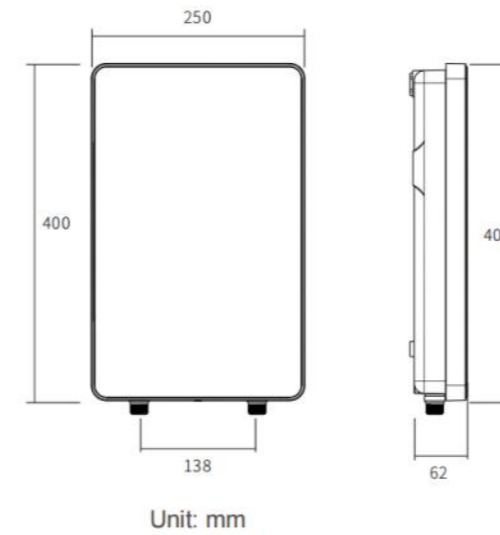


INSTANT ELECTRIC WATER HEATER

T7

Key Features

- Advanced multiple security protection systems
- Cast aluminum heating element for durability
- Water-electricity isolation heating for enhanced safety
- 2 TRIAC controls for precise power regulation
- Intelligent anti-freezing technology
- Precise Temperature Setting in 0.5°C Steps



- Water-electricity Isolation
- Instant Heating
- Anti-freezing
- Energy Efficient
- Precise Temperature
- Patented Heating Element
- Two TRIAC
- Glass Touch Panel

Specifications

Rated Voltage	Rated Frequency	Rated Power	Rated Pressure	Heating Element	Temperature Range	Waterproofing Grade	Product Size
220V	50Hz	10.5kW	0.6MPa	Cast Aluminum	25-60°C	IPX4	400×250×62mm

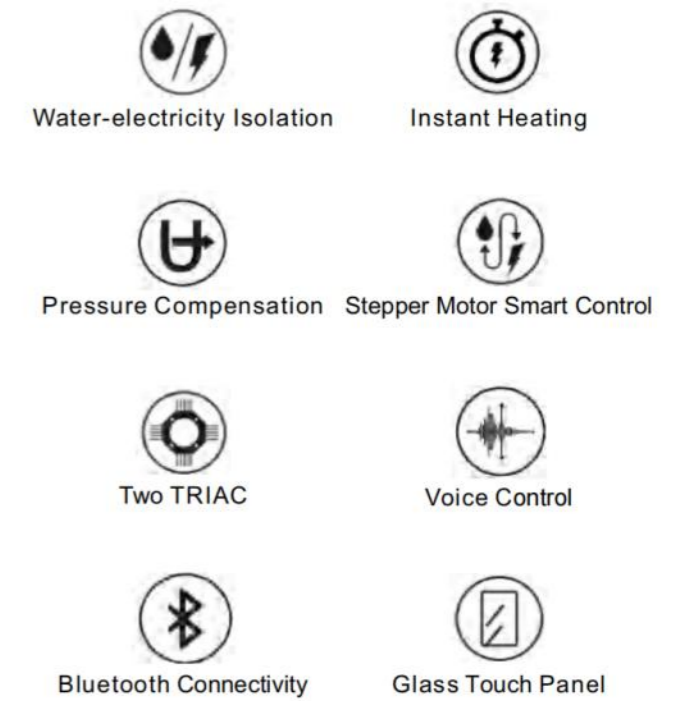
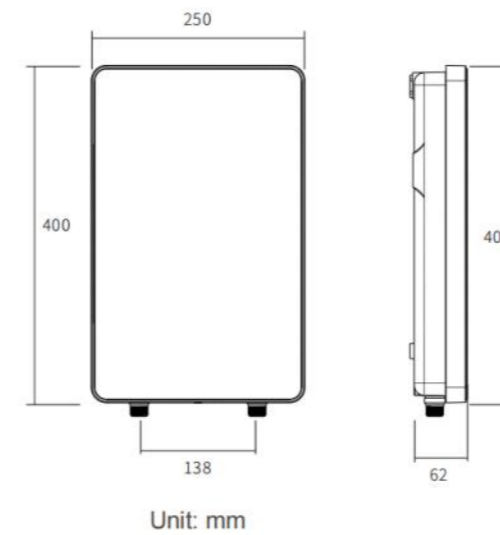


INSTANT ELECTRIC WATER HEATER

P9

Key Features

- Advanced multiple security protection systems
- Cast aluminum heating element for durability
- Water-electricity isolation heating for enhanced safety
- 2 TRIAC controls for precise power regulation
- Stepper motor flow control with dynamic power adjustment
- Intelligent pressure compensation for stability
- Smart bluetooth connectivity and voice control



Specifications

Rated Voltage	Rated Frequency	Rated Power	Rated Pressure	Heating Element	Temperature Range	Waterproofing Grade	Product Size
220V	50Hz	8.5kW	0.6MPa	Cast Aluminum	25-60°C	IPX4	400×250×62mm

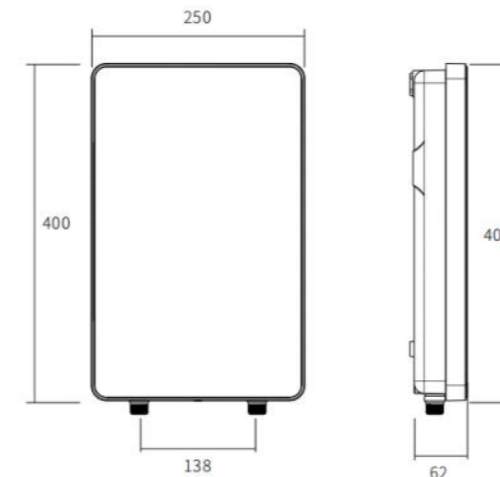


INSTANT ELECTRIC WATER HEATER

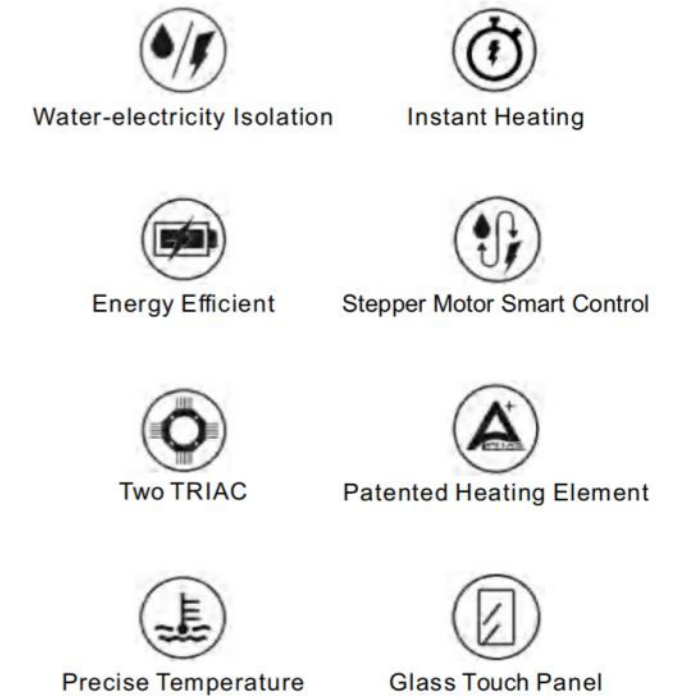
P10

Key Features

- Advanced multiple security protection systems
- Cast aluminum heating element for durability
- Water-electricity isolation heating for enhanced safety
- 2 TRIAC controls for precise power regulation
- Stepper motor flow control with dynamic power adjustment
- Precise Temperature Setting in 0.5°C Steps



Unit: mm



Specifications

Rated Voltage	Rated Frequency	Rated Power	Rated Pressure	Heating Element	Temperature Range	Waterproofing Grade	Product Size
220V	50Hz	8.5kW	0.6MPa	Cast Aluminum	25-60°C	IPX4	400×250×62mm

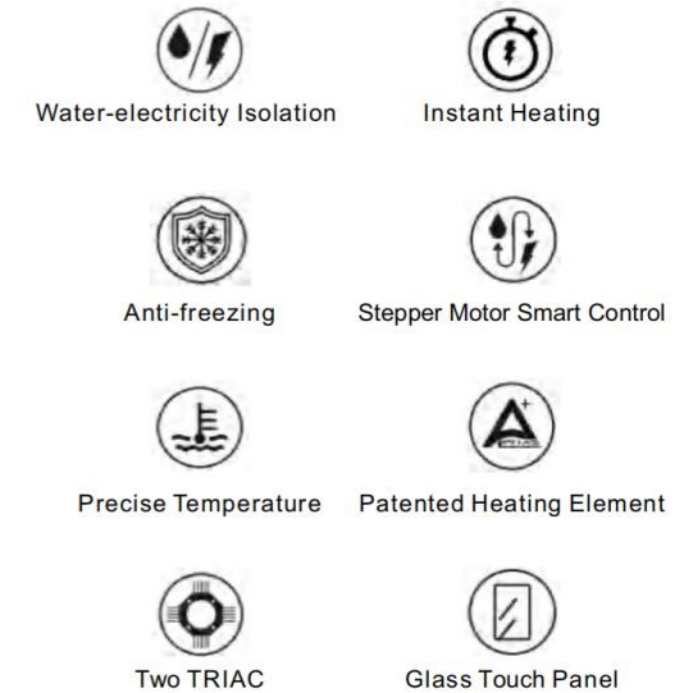
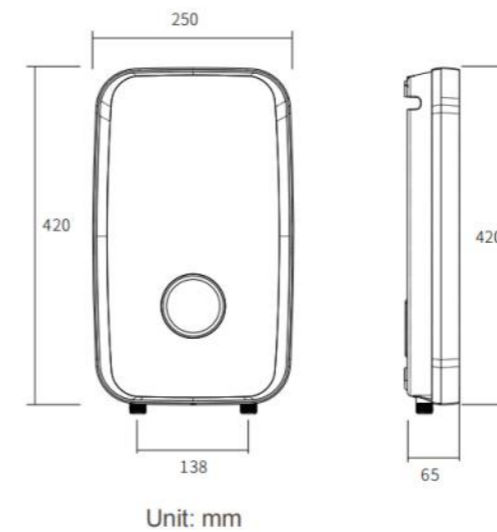


INSTANT ELECTRIC WATER HEATER

V7

Key Features

- Advanced multiple security protection systems
- Cast aluminum heating element for durability
- Water-electricity isolation heating for enhanced safety
- 2 TRIAC controls for precise power regulation
- Stepper motor flow control with dynamic power adjustment
- Intelligent fan anti-freezing technology



Specifications

Rated Voltage	Rated Frequency	Rated Power	Rated Pressure	Heating Element	Temperature Range	Waterproofing Grade	Product Size
220V	50Hz	8.5kW	0.6MPa	Cast Aluminum	25-60°C	IPX4	420×250×65mm

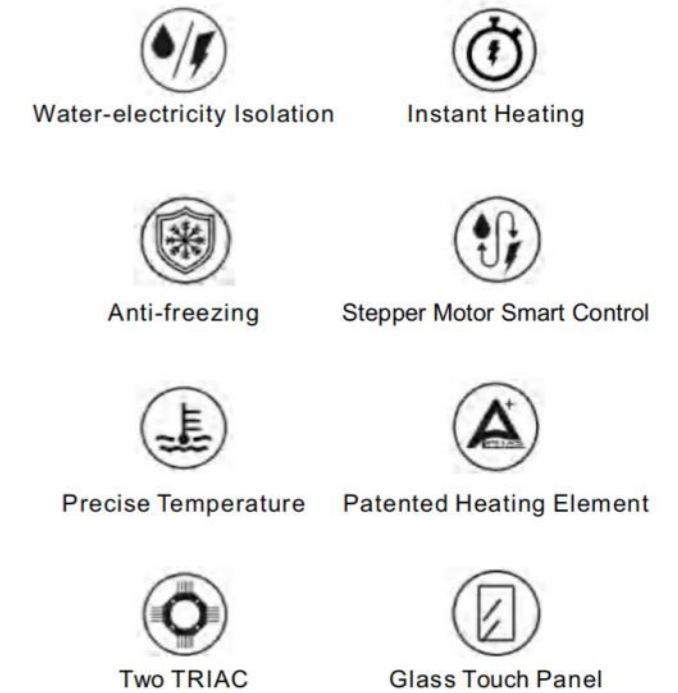
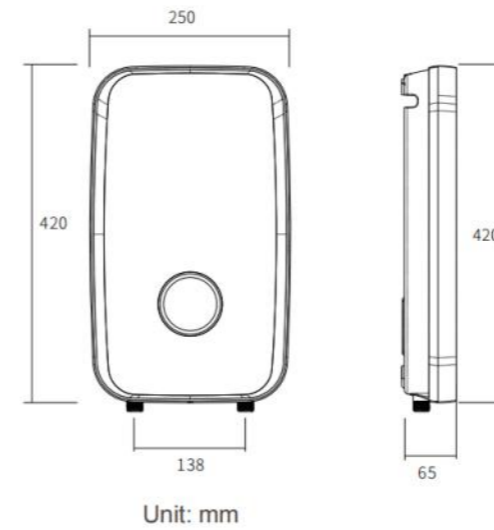


INSTANT ELECTRIC WATER HEATER

V8

Key Features

- Advanced multiple security protection systems
- Cast aluminum heating element for durability
- Water-electricity isolation heating for enhanced safety
- 2 TRIAC controls for precise power regulation
- Stepper motor flow control with dynamic power adjustment
- Intelligent fan anti-freezing technology



Specifications

Rated Voltage	Rated Frequency	Rated Power	Rated Pressure	Heating Element	Temperature Range	Waterproofing Grade	Product Size
220V	50Hz	8.5kW	0.6MPa	Cast Aluminum	25-60°C	IPX4	420×250×65mm

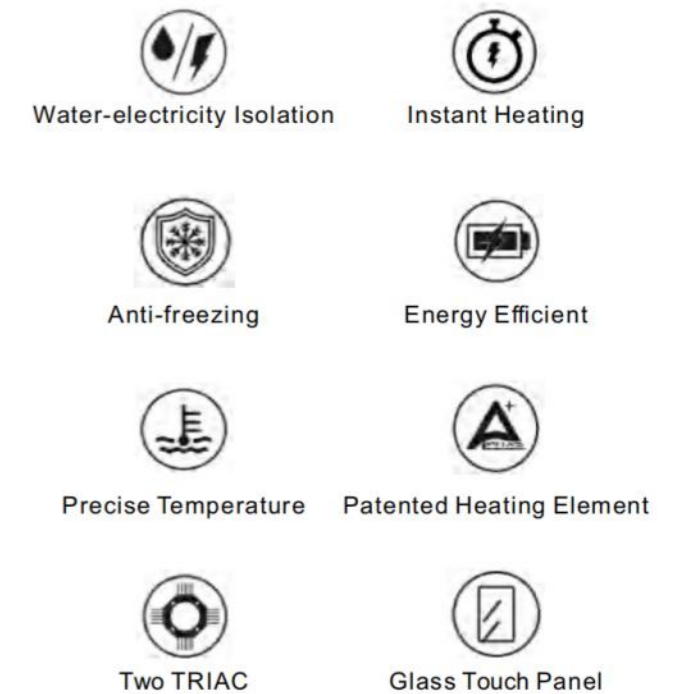
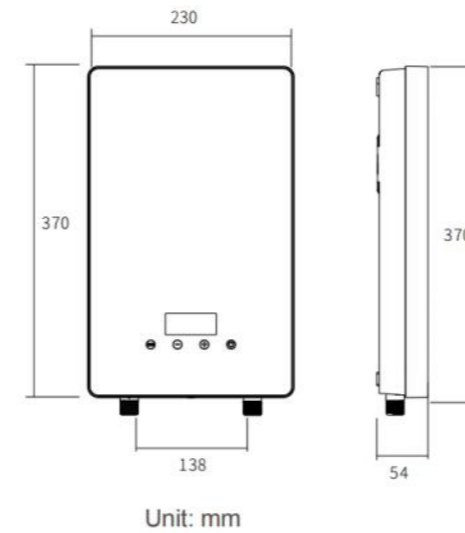


INSTANT ELECTRIC WATER HEATER

K1

Key Features

- Advanced multiple security protection systems
- Cast aluminum heating element for durability
- Water-electricity isolation heating for enhanced safety
- 2 TRIAC controls for precise power regulation
- Intelligent anti-freezing technology
- Precise Temperature Setting in 0.5°C Steps



Specifications

Rated Voltage	Rated Frequency	Rated Power	Rated Pressure	Heating Element	Temperature Range	Waterproofing Grade	Product Size
220V	50Hz	8.5kW	0.6MPa	Cast Aluminum	25-60°C	IPX4	370×230×58mm

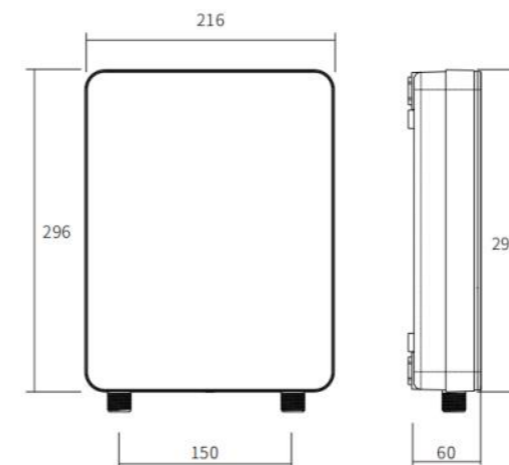


INSTANT ELECTRIC WATER HEATER

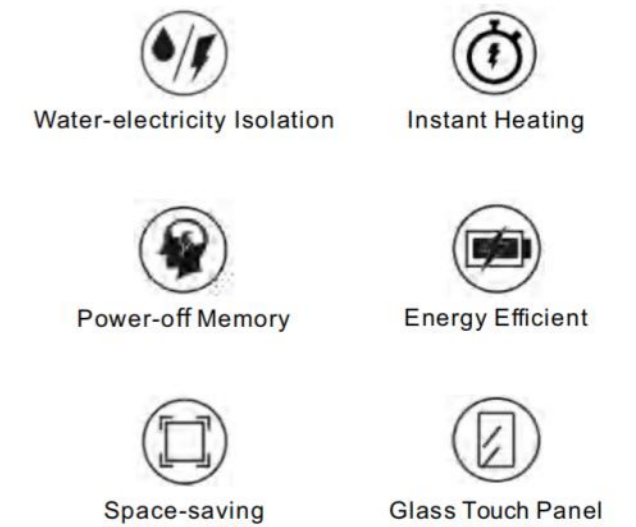
O6

Key Features

- Advanced multiple security protection systems
- Cast aluminum heating element for durability
- Water-electricity isolation heating for enhanced safety
- TRIAC controls for precise power regulation
- Compact design for space-saving
- 96% heating efficiency for energy saving



Unit: mm



Specifications

Rated Voltage	Rated Frequency	Rated Power	Rated Pressure	Heating Element	Temperature Range	Waterproofing Grade	Product Size
220V	50Hz	5.5kW	0.6MPa	Cast Aluminum	25-55°C	IPX4	296×216×60mm

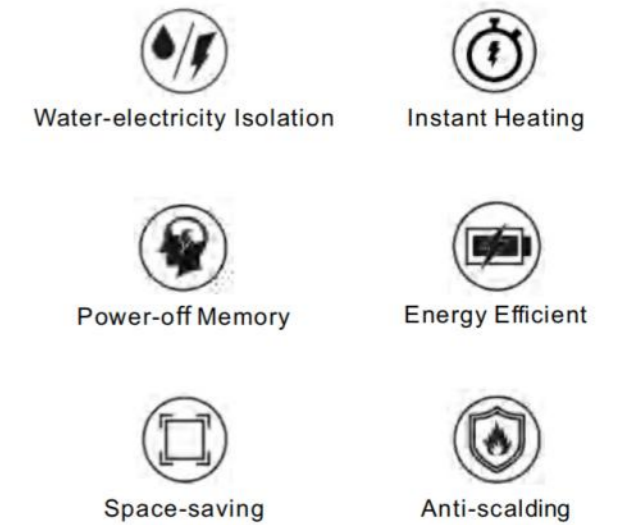
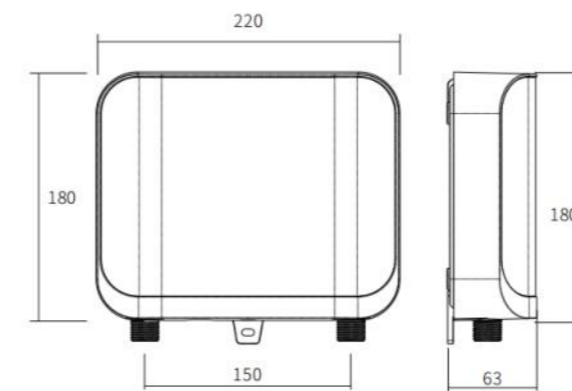


INSTANT ELECTRIC WATER HEATER

07

Key Features

- Advanced multiple security protection systems
- Cast aluminum heating element for durability
- Water-electricity isolation heating for enhanced safety
- TRIAC controls for precise power regulation
- Compact design for space-saving
- 96% heating efficiency for energy saving
- Intelligent anti-scalding technology



Specifications

Rated Voltage	Rated Frequency	Rated Power	Rated Pressure	Heating Element	Temperature Range	Waterproofing Grade	Product Size
220V	50Hz	5.5kw	0.6Mpa	Cast Aluminum	25-55°C	IPX4	220×180×63mm

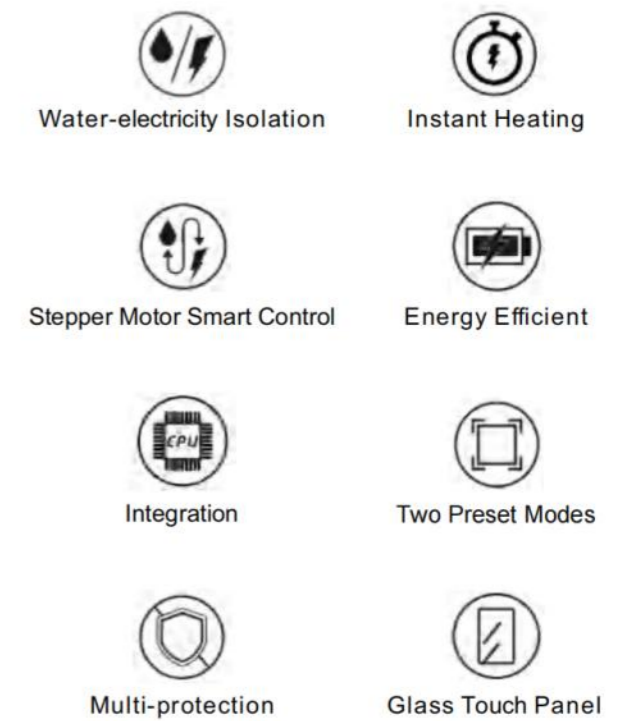
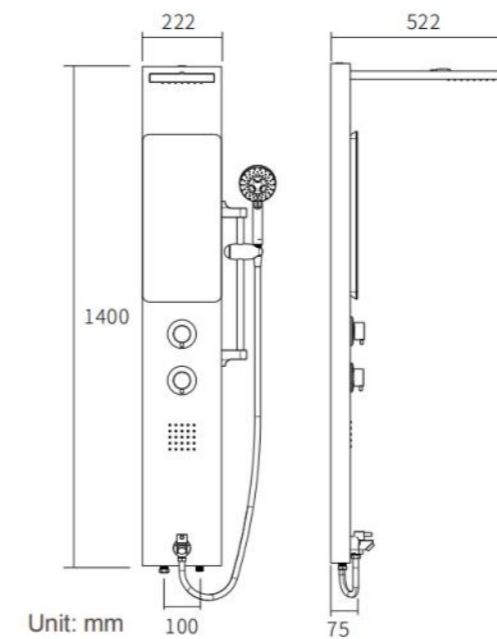


INSTANT ELECTRIC SHOWER HEATER

M2

Key Features

- Advanced multiple security protection systems
- Cast aluminum heating element for durability
- Water-electricity isolation heating for enhanced safety
- 2 TRIAC controls for precise power regulation
- Stepper motor flow control with dynamic power adjustment
- Energy-saving and comfort modes one-touch switching
- Imported 304 stainless steel body enhances durability
- All-in-one shower and heater for a luxurious lifestyle



Specifications

Rated Voltage	Rated Frequency	Rated Power	Rated Pressure	Heating Element	Temperature Range	Waterproofing Grade	Product Size
220V	50Hz	8.5kW	0.6MPa	Cast Aluminum	25-60°C	IPX4	1400×222×75mm

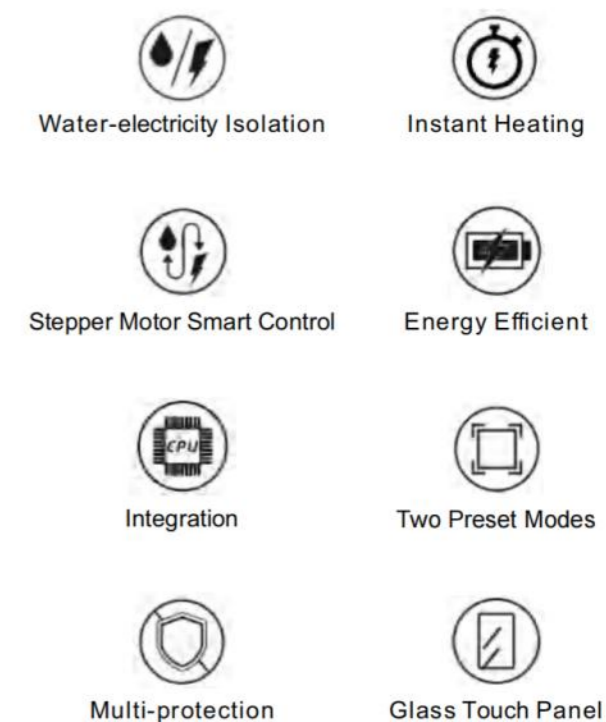
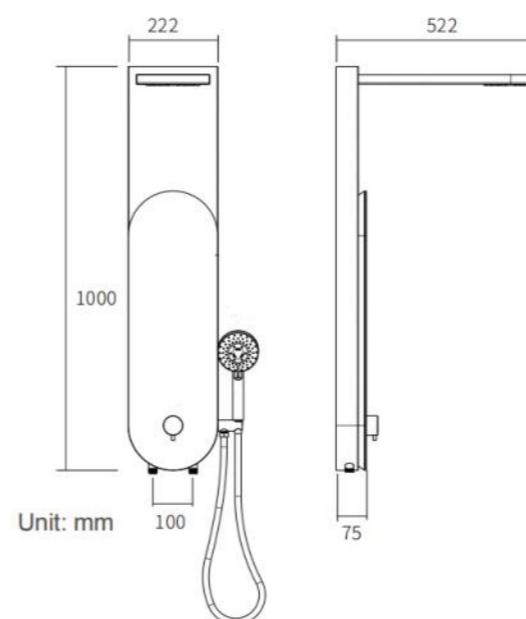


INSTANT ELECTRIC SHOWER HEATER

M5

Key Features

- Advanced multiple security protection systems
- Cast aluminum heating element for durability
- Water-electricity isolation heating for enhanced safety
- 2 TRIAC controls for precise power regulation
- Stepper motor flow control with dynamic power adjustment
- Energy-saving and comfort modes one-touch switching
- Imported 304 stainless steel body enhances durability
- All-in-one shower and heater for a luxurious lifestyle



Specifications

Rated Voltage	Rated Frequency	Rated Power	Rated Pressure	Heating Element	Temperature Range	Waterproofing Grade	Product Size
220V	50Hz	10.5kW	0.6MPa	Cast Aluminum	25-60°C	IPX4	1000×222×75mm

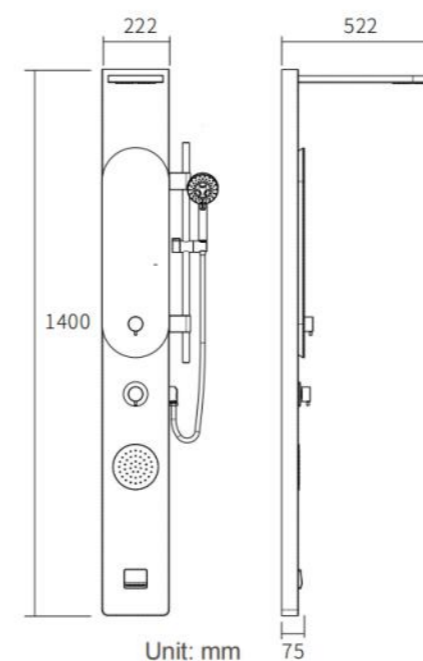


INSTANT ELECTRIC SHOWER HEATER

M6

Key Features

- Advanced multiple security protection systems
- Cast aluminum heating element for durability
- Water-electricity isolation heating for enhanced safety
- 2 TRIAC controls for precise power regulation
- Stepper motor flow control with dynamic power adjustment
- Energy-saving and comfort modes one-touch switching
- Imported 304 stainless steel body enhances durability
- All-in-one shower and heater for a luxurious lifestyle
- Smart Wi-Fi connectivity



- Water-electricity Isolation
- Instant Heating
- Stepper Motor Smart Control
- Energy Efficient
- Integration
- Two Preset Modes
- Multi-protection
- Glass Touch Panel

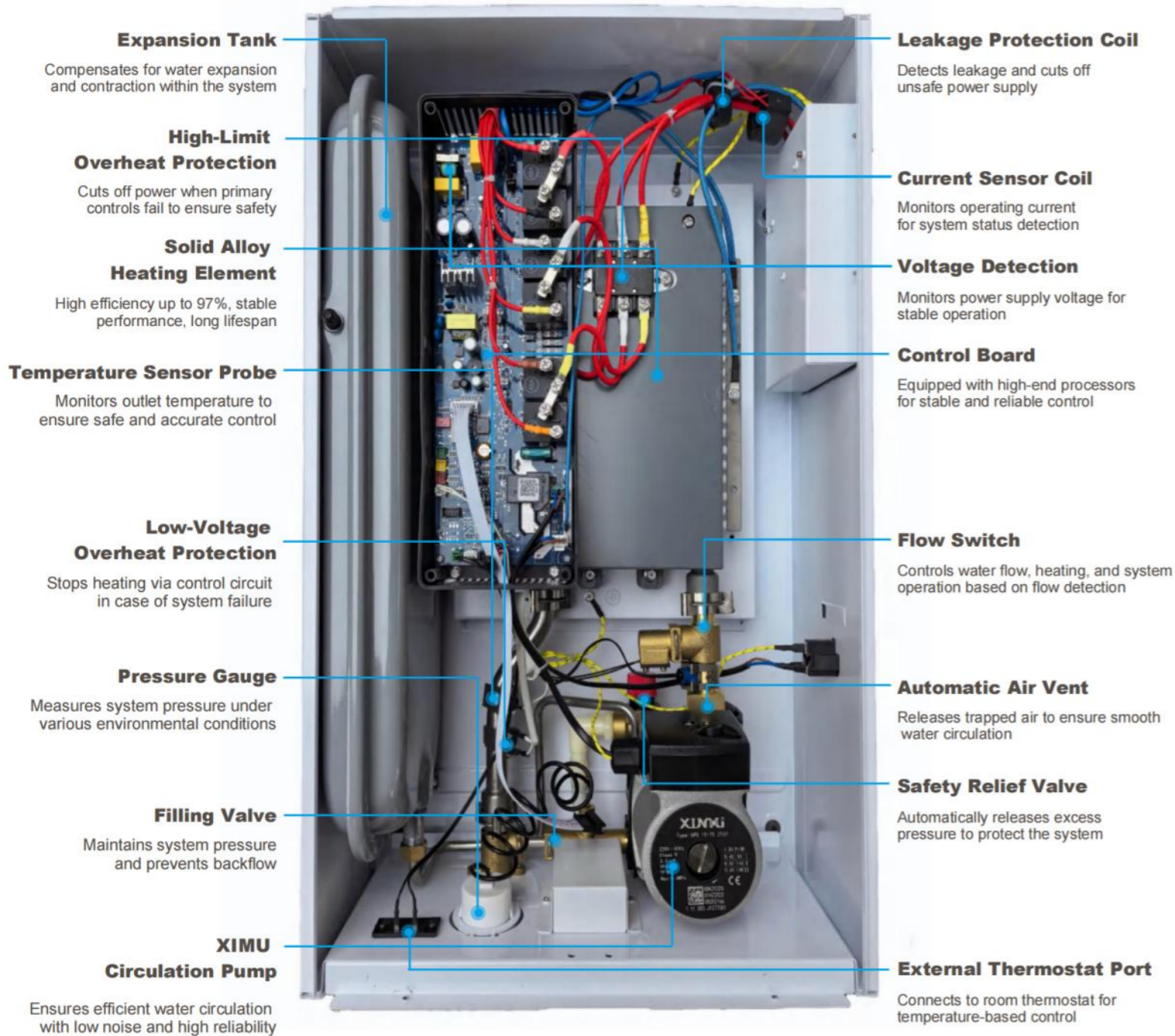
Specifications

Rated Voltage	Rated Frequency	Rated Power	Rated Pressure	Heating Element	Temperature Range	Waterproofing Grade	Product Size
220V	50Hz	10.5kW	0.6MPa	Cast Aluminum	25-60°C	IPX4	1800×75×222mm

ELECTRIC BOILER INTERNAL STRUCTURE

Closed Pressurized System, easy operation

Premium Components, up to 15-year design lifespan



THE CORE TECHNOLOGIES

High Efficiency & Eco-Friendly

- Multiple heat transfer methods, including direct conduction and forced convection, ensure optimal performance.
- Up to 98% thermal conversion efficiency and 100% heat utilization with digital temperature sensing for stable output and energy savings.
- No emissions or dust during water circulation, maintaining clean, comfortable indoor air for a low-carbon lifestyle.

Water-Electricity Isolation & Safety

- Low-voltage control of high-voltage operation with soft start and stop, eliminating current surges.
- Advanced cloud heating technology ensures true water-electric isolation.
- Equipped with overheat protection, automatic power cut-off, and anti-freeze function for enhanced safety.

Corrosion & Rust Protection

- Innovative heating structure significantly extends service life compared to conventional designs.
- Advanced black crystal coating technology provides permanent anti-corrosion and anti-rust protection.
- Designed for a lifespan of over 15 years.

Constant Power Output & Silent Operation

- Intelligent frequency modulation automatically adjusts current based on voltage fluctuations, ensuring stable power output and longer product lifespan.
- Delivers consistent heating performance with ultra-quiet operation for a noise-free environment.

Smart Control & Easy Maintenance

- Advanced microprocessor control with large LED display and intuitive digital interface.
- Flexible settings for heating time, room temperature, and water temperature with user-friendly operation.
- Dual independent core components design enables fault code display and quick maintenance, reducing downtime and service costs.





ELECTRIC BOILER

PAN8A2

Key Features

- Closed-system design for easy and reliable operation
- German components up to 15-year lifespan
- Multi-stage temperature control for energy-saving
- LED display with simple operation
- Power-off memory function
- 98% high-efficiency instant heating
- Intelligent anti-freeze protection
- Triple safety protection system
- Fault code display for easy maintenance

Specifications

Rated Voltage	220V	Pump Head	6 Meters
Rated Frequency	50Hz	Heating Area	50-100m ²
Rated Power	8kW	System Under Pressure	≤0.3MPa
Product Size	600×380×220mm		



PAN10A2

Key Features

- Closed-system design for easy and reliable operation
- German components up to 15-year lifespan
- Multi-stage temperature control for energy-saving
- LED display with simple operation
- Power-off memory function
- 98% high-efficiency instant heating
- Intelligent anti-freeze protection
- Triple safety protection system
- Fault code display for easy maintenance

Specifications

Rated Voltage	220V	Pump Head	6 Meters
Rated Frequency	50Hz	Heating Area	50-100m ²
Rated Power	10kW	System Under Pressure	≤0.3MPa
Product Size	600×380×220mm		





ELECTRIC BOILER

PAN18D3

Key Features

- Closed-system design for easy and reliable operation
- German components up to 15-year lifespan
- Multi-stage temperature control for energy-saving
- LED display with simple operation
- Power-off memory function
- 98% high-efficiency instant heating
- Intelligent anti-freeze protection
- Triple safety protection system
- Fault code display for easy maintenance

Specifications

Rated Voltage	380V 3N	Pump Head	7 Meters
Rated Frequency	50Hz	Heating Area	70-130m ²
Rated Power	18kW	System Under Pressure	≤0.3MPa
Product Size	700×410×220mm		



PAN25D3

Key Features

- Closed-system design for easy and reliable operation
- German components up to 15-year lifespan
- Multi-stage temperature control for energy-saving
- LED display with simple operation
- Power-off memory function
- 98% high-efficiency instant heating
- Intelligent anti-freeze protection
- Triple safety protection system
- Fault code display for easy maintenance

Specifications

Rated Voltage	380V 3N	Pump Head	7 Meters
Rated Frequency	50Hz	Heating Area	100-160m ²
Rated Power	25kW	System Under Pressure	≤0.3MPa
Product Size	700×410×220mm		





ELECTRIC BOILER

PAN32K

Key Features

- Closed-system design for easy and reliable operation
- German components up to 15-year lifespan
- Multi-stage temperature control for energy-saving
- LED display with simple operation
- Power-off memory function
- 98% high-efficiency instant heating
- Intelligent anti-freeze protection
- Triple safety protection system
- Fault code display for easy maintenance

Specifications

Rated Voltage	380V 3N	Pump Head	12Meters
Rated Frequency	50Hz	Heating Area	180-300m ²
Rated Power	32kW	System Under Pressure	≤0.3MPa
Product Size	675×500×340mm		



PAN50K

Key Features

- Closed-system design for easy and reliable operation
- German components up to 15-year lifespan
- Multi-stage temperature control for energy-saving
- LED display with simple operation
- Power-off memory function
- 98% high-efficiency instant heating
- Intelligent anti-freeze protection
- Triple safety protection system
- Fault code display for easy maintenance

Specifications

Rated Voltage	380V 3N	Pump Head	12Meters
Rated Frequency	50Hz	Heating Area	400-500m ²
Rated Power	50kW	System Under Pressure	≤0.3MPa
Product Size	675×500×340mm		



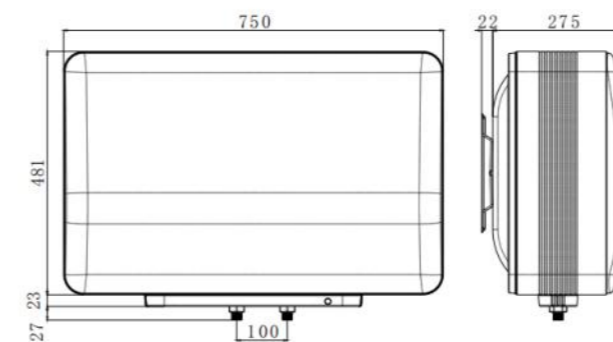


ELECTRIC STORAGE WATER HEATER

S2

Key Features

- Gradient heating technology with no cold spots
- Electronic anode for long-lasting tank protection
- Auto power-off on water flow for enhanced safety
- Smart usage memory for learns habits and saving energy
- WiFi smart control with multiple operation modes
- Multi-safety protection for reliable use
- Premium curved design with modern finish



Unit: mm



Rapid Heating



Multiple Water Supply



Intelligent Control



Smart Usage Memory



Multi-protection



Uniform Heating

Specifications

Rated Voltage	Rated Frequency	Rated Power	Rated Pressure	Rated Capacity	Maximum Temperature	Waterproofing Grade	Product Size
220V	50Hz	5kW	0.7MPa	40L	80°C	IPX4	750×481×278mm
220V	50Hz	6.5kW	0.7MPa	40L	80°C	IPX4	750×481×278mm

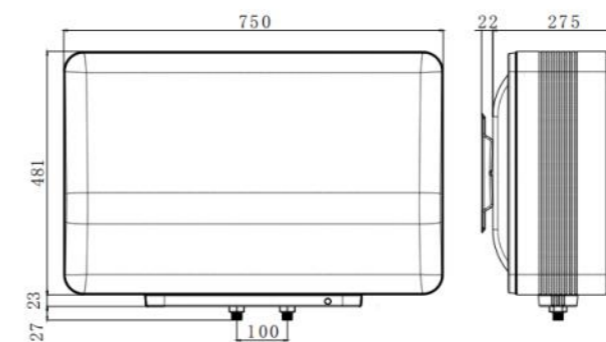


ELECTRIC STORAGE WATER HEATER

S5

Key Features

- Gradient heating technology with no cold spots
- Electronic anode for long-lasting tank protection
- Auto power-off on water flow for enhanced safety
- Smart usage memory for learns habits and saving energy
- WiFi smart control with multiple operation modes
- Multi-safety protection for reliable use
- Premium curved design with modern finish



Unit: mm



Rapid Heating



Multiple Water Supply



Intelligent Control



Smart Usage Memory



Multi-protection



Uniform Heating

Specifications

Rated Voltage	Rated Frequency	Rated Power	Rated Pressure	Rated Capacity	Maximum Temperature	Waterproofing Grade	Product Size
220V	50Hz	5kW	0.7MPa	40L	80°C	IPX4	750×481×258mm
220V	50Hz	6.5kW	0.7MPa	40L	80°C	IPX4	750×481×258mm

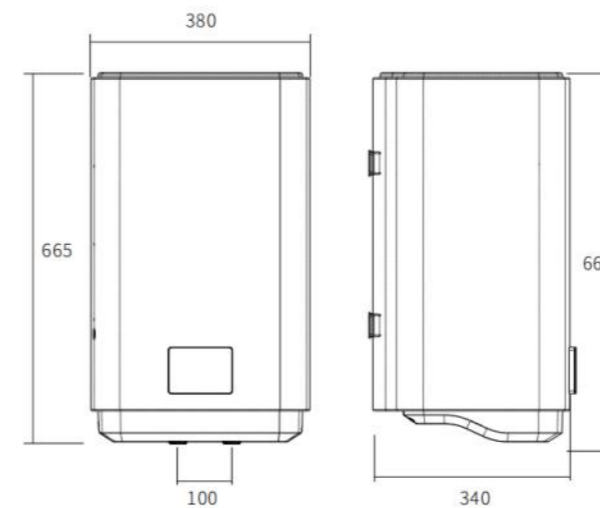


ELECTRIC STORAGE WATER HEATER

D1

Key Features

- 5500W Dual-Coil Rapid Heating
- 97% thermal efficiency and vertical design
- Grade 2 energy efficiency with anti-freeze design
- Electric shock protection with safety isolation
- Self-diagnostic system for quick fault detection
- Blue diamond enamel tank for durability
- Anti-corrosion coating for longer lifespan



Unit: mm



Rapid Heating



Multiple Water Supply



Self-diagnostic System



Vertical design



Multi-protection



Uniform Heating

Specifications

Rated Voltage	Rated Frequency	Rated Power	Rated Pressure	Rated Capacity	Maximum Temperature	Waterproofing Grade	Product Size
220V	50Hz	5.5kW	0.7MPa	38L	80°C	IPX4	665×380×340mm
220V	50Hz	3.3kW	0.7MPa	38L	80°C	IPX4	665×380×340mm

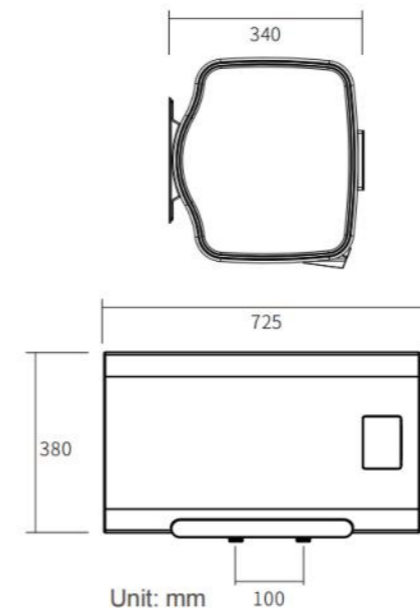


ELECTRIC STORAGE WATER HEATER

W1

Key Features

- 360° high-density insulation for better heat retention
- Incoloy 840 heating element with fast and efficient heating
- Dual-tank slim design for continuous hot water
- Independent Dual Heating for improved efficiency and comfort
- Comprehensive Safety Protection System
- Smart Scheduling with remote control
- LED Display and high-temperature sterilization



Rapid Heating



Multiple Water Supply



Intelligent Control



Double Inner Liner



Multi-protection



Uniform Heating

Specifications

Rated Voltage	Rated Frequency	Rated Power	Rated Pressure	Rated Capacity	Maximum Temperature	Waterproofing Grade	Product Size
220V	50Hz	5.5kW	0.7MPa	38L	80°C	IPX4	725×380×340mm
220V	50Hz	3.3kW	0.7MPa	38L	80°C	IPX4	725×380×340mm

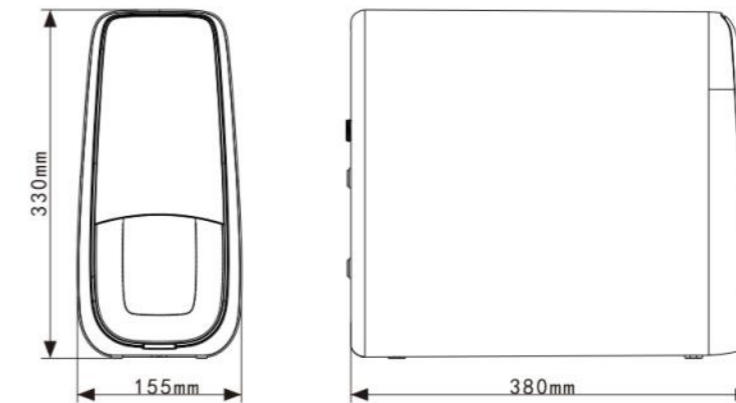


INSTANT ELECTRIC SKIN CARE HEATER

J2

Key Features

- Skin-nourishing soft water system
- Intelligent constant temperature stability
- Advanced UV sterilization protection
- Carbon fiber deep purification
- Negative ion air and water purification
- Holistic wellness-centered design



Pure Physical
Filtration



Soft Water
Scale Inhibition



UV
Sterilization



Negative Ion
Purification



Filter Change
Reminder



Water-electricity
Isolation



Stepper Motor
Smart Control

Specifications

Rated Voltage	Rated Frequency	Rated Power	Rated Pressure	Heating Element	Temperature Range	Waterproofing Grade	Product Size
220V	50Hz	5.5kW	0.6MPa	Cast Aluminum	25-55°C	IPX4	330×155×380mm